



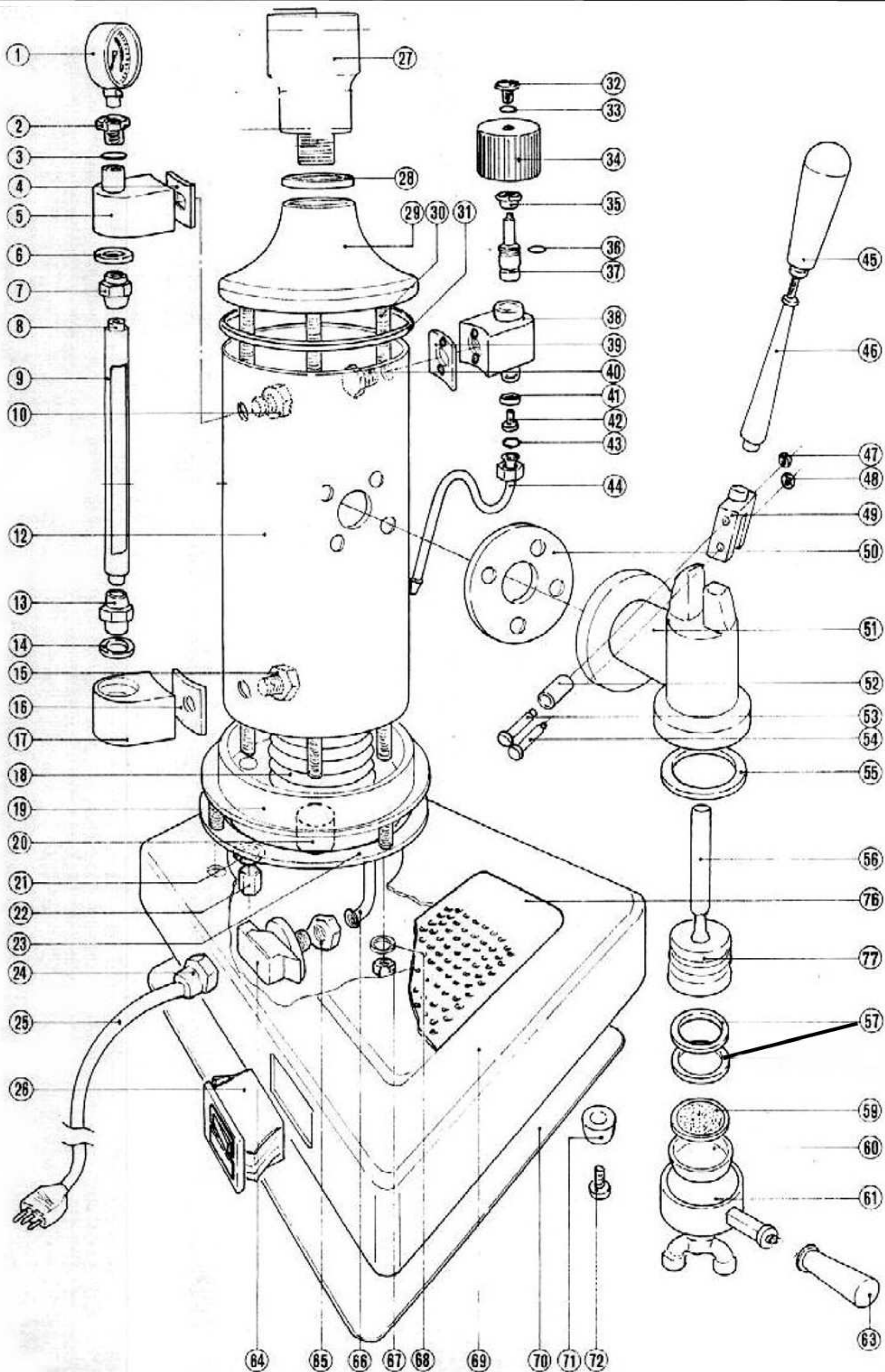
ZACCONI

ART.

ZW.62.003

DESCRIPTION

ESPRESSO BABY



This drawing is the property of Zacconi

and must not be reproduced without permission

DRAWING T 280106

ORIGIN ITA

DATE GEN2006.